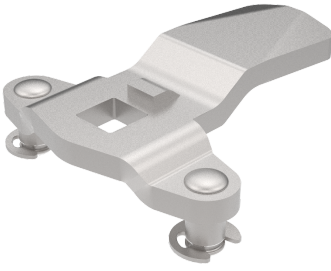


# CAMES VISION À TROIS POINTS ACIER



Cames à trois points avec saillie pour poignées pivotantes. Course : 20 mm. Fournies avec des circlips. Dans le dessin et le tableau ci-dessous, A est la face intérieure au point d'engagement de la came.

## MATÉRIAU

Cam: Acier, galvanisé

## RELATED PRODUCTS

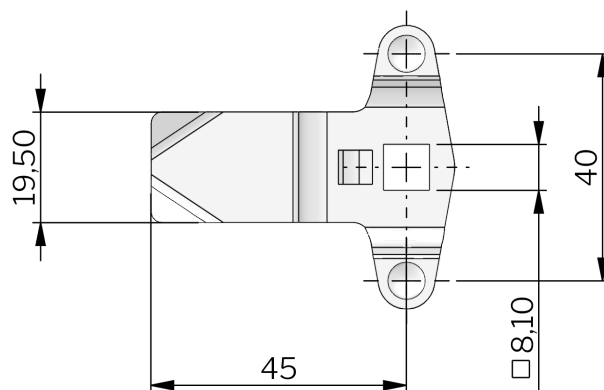
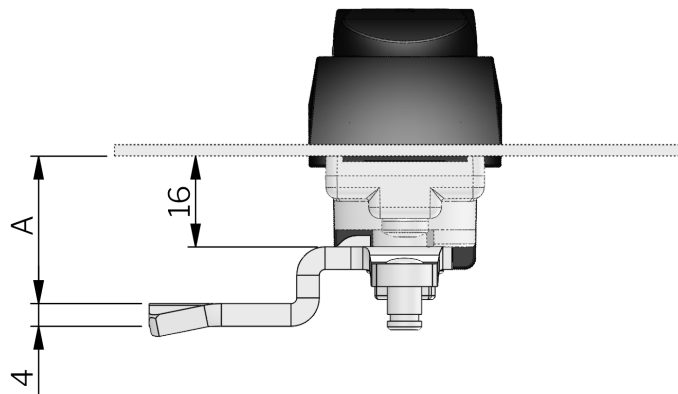
Similar products: 1-008.51

Other materials: 1-008.51

Use the Index Code at [industrilas.com](http://industrilas.com)

## TESTS & STANDARDS

Please note that all cams with dimension A is less than 16 mm can only be used in combination with swing handles (see product ID 1-010 and 1-020).



P/N	Description	Matériau	A
2321S01P	3-point cam	Acier	2
2321S02P	3-point cam	Acier	4
2321S03P	3-point cam	Acier	6
2321S04P	3-point cam	Acier	8
2321S05P	3-point cam	Acier	10
2321S07P	3-point cam	Acier	12
2321S08P	3-point cam	Acier	14
2321S09P	3-point cam *	Acier	16
2321S10P	3-point cam	Acier	18
2321S11P	3-point cam	Acier	20
2321S12P	3-point cam	Acier	22
2321S14P	3-point cam	Acier	24
2321S15P	3-point cam	Acier	26
2321S16P	3-point cam	Acier	28
2321S17P	3-point cam	Acier	30
2321S18P	3-point cam	Acier	32
2321S20P	3-point cam	Acier	34
2321S21P	3-point cam	Acier	36
2321S22P	3-point cam	Acier	38
2321S23P	3-point cam	Acier	40
2321S24P	3-point cam	Acier	42
2321S27P	3-point cam	Acier	48
2321S28P	3-point cam	Acier	46
2321S29P	3-point cam	Acier	44

\* P/N 2321S09P is with straight cam.